
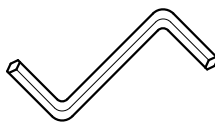
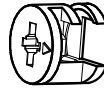
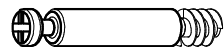
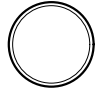

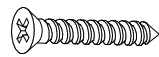
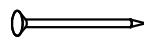
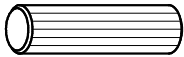
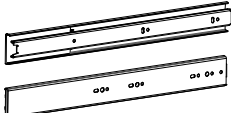
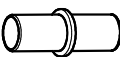
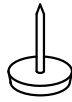

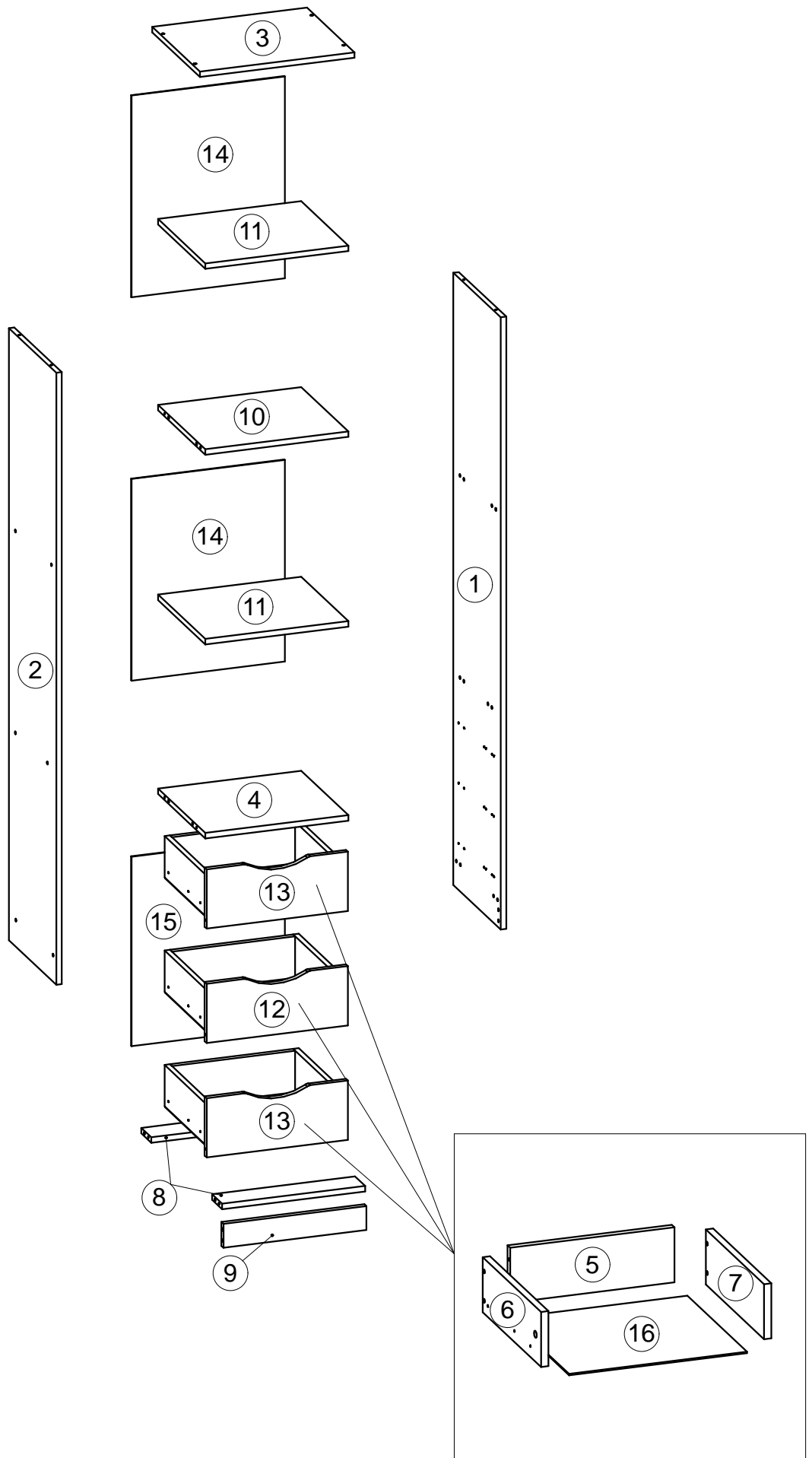
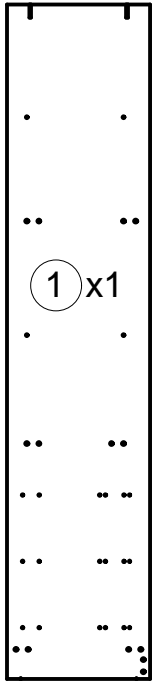
 Ø6,3x50 mm A1 x 28	 Ø12 mm A2 x 28	 4 mm A3 x 1	 Ø15x12 mm B1 x 6	 Ø5x44 mm B2 x 6
 Ø20 mm B3 x 6	 Ø4x16 mm D1 x 36	 Ø3x25 mm D2 x 8	 Ø1,6x25 mm F x 110	 Ø8x36 mm G x 28
 K x 3	 Ø5x16 mm L x 8	 Ø15 mm N x 4	 Z x 8	

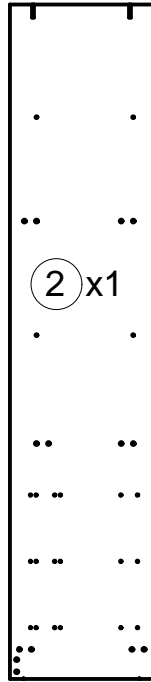


Box 1

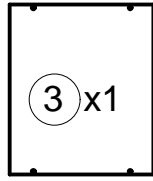
1784x379x16 mm



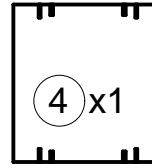
1784x379x16 mm



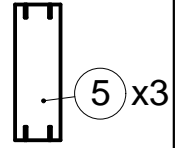
450x380x16 mm



417x378x16 mm

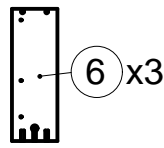


359x120x16 mm

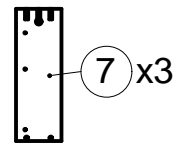


Fittings & Tools

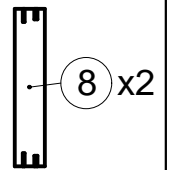
350x120x16 mm



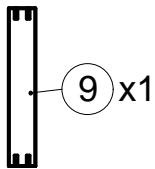
350x120x16 mm



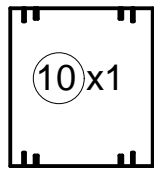
417x80x16 mm



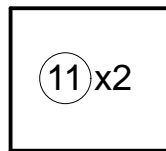
70x417x16 mm



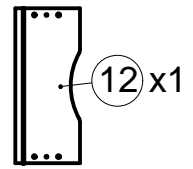
417x377x16 mm



417x377x16 mm

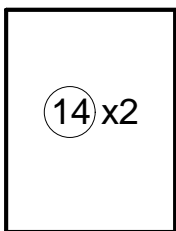


171x410x16 mm

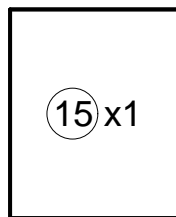


Box 2

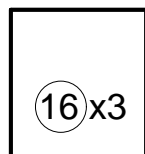
588x447x3 mm



552x447x3 mm

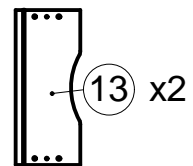


389x358x3 mm

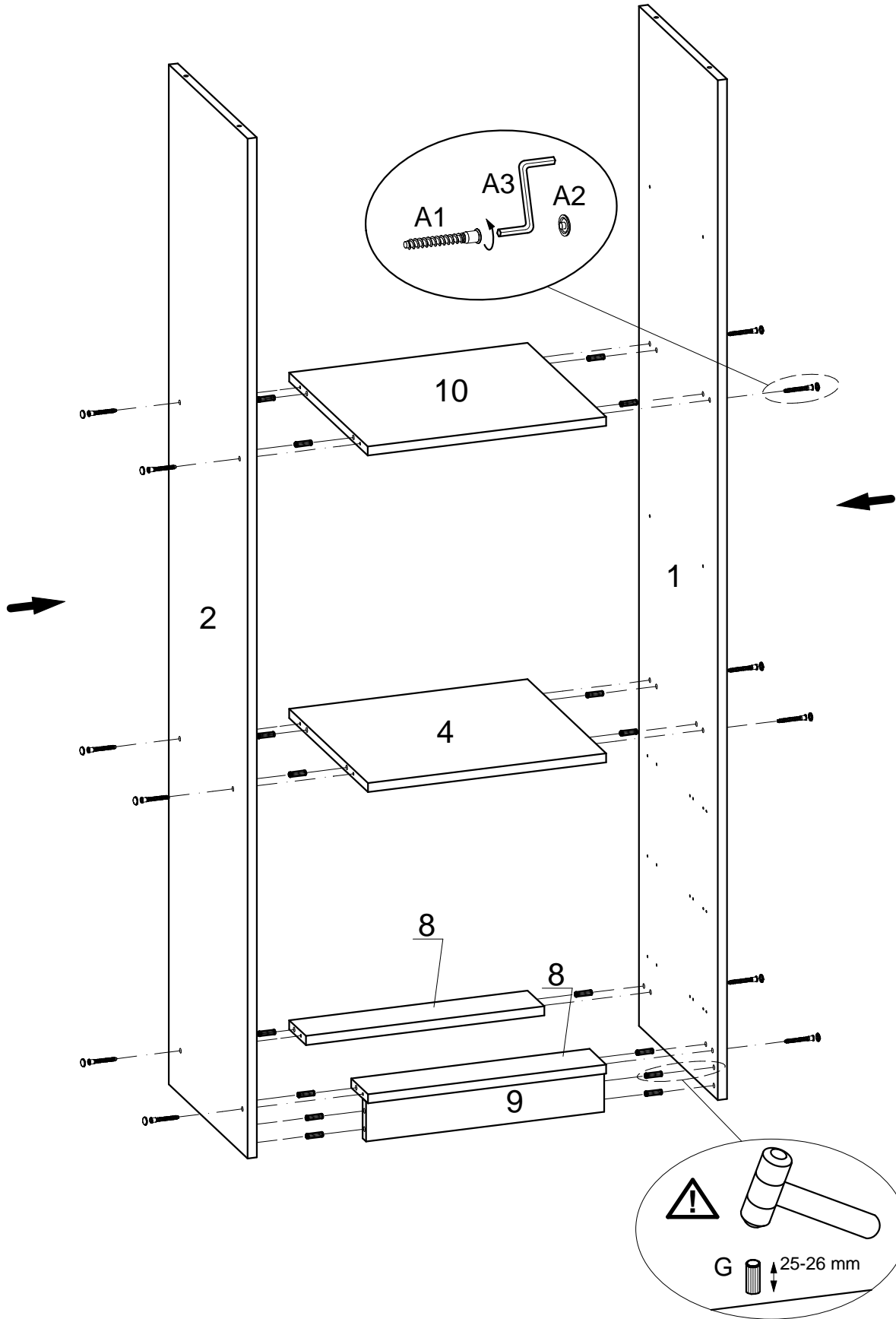
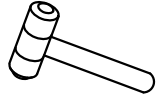
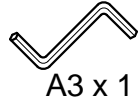
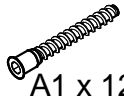


Box

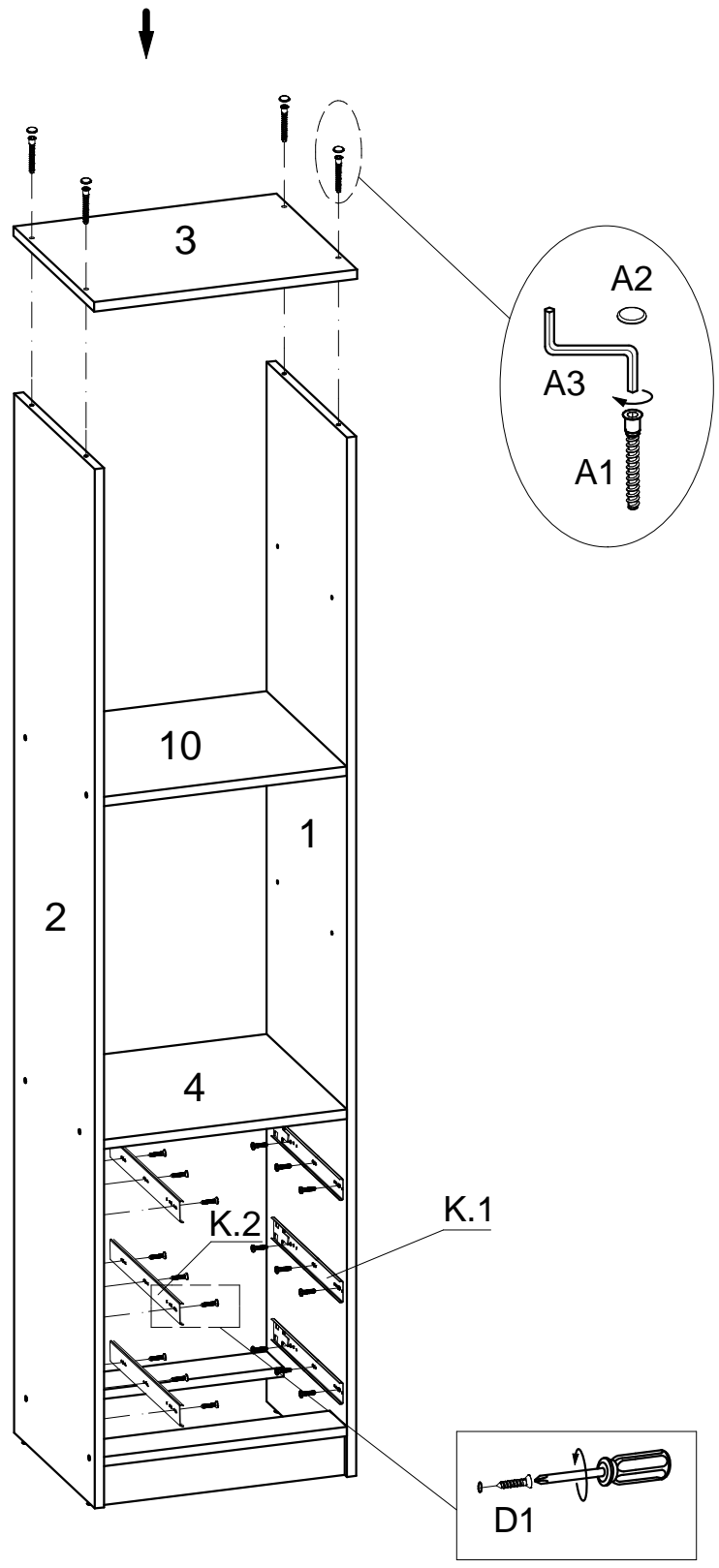
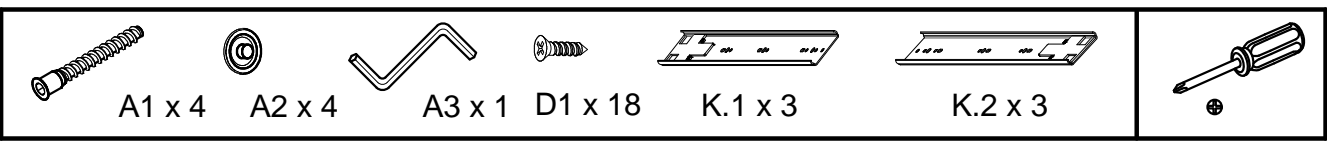
171x410x16 mm



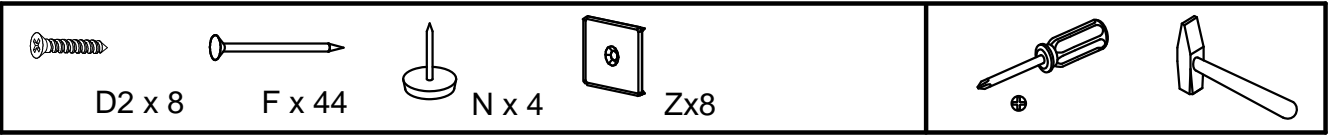
1



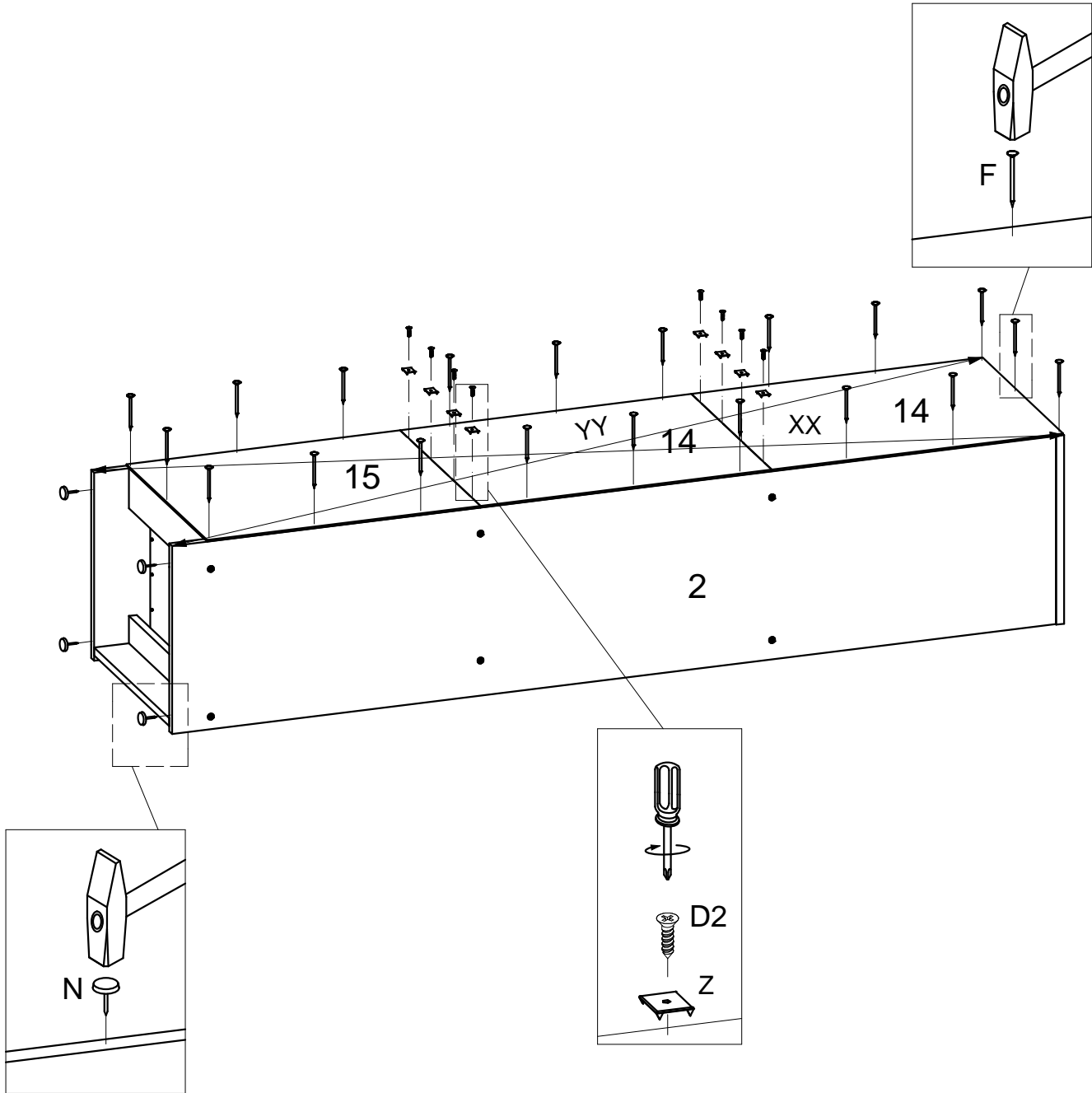
2



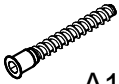



3

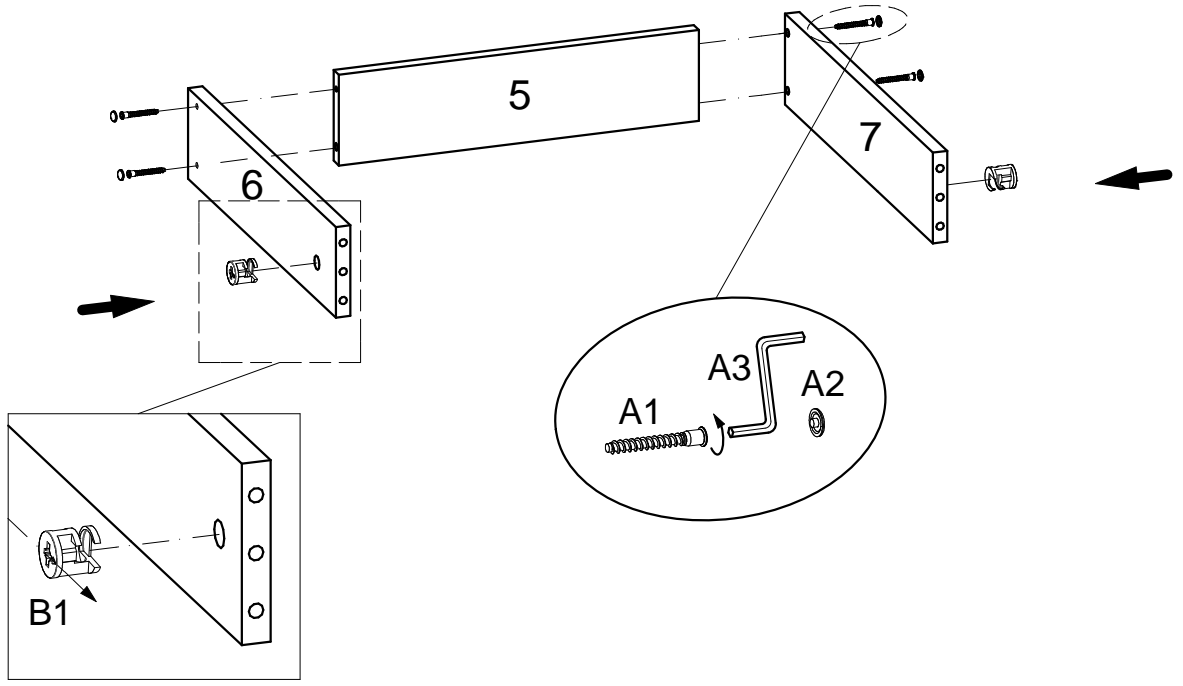


⚠ XX=YY≅90°



4

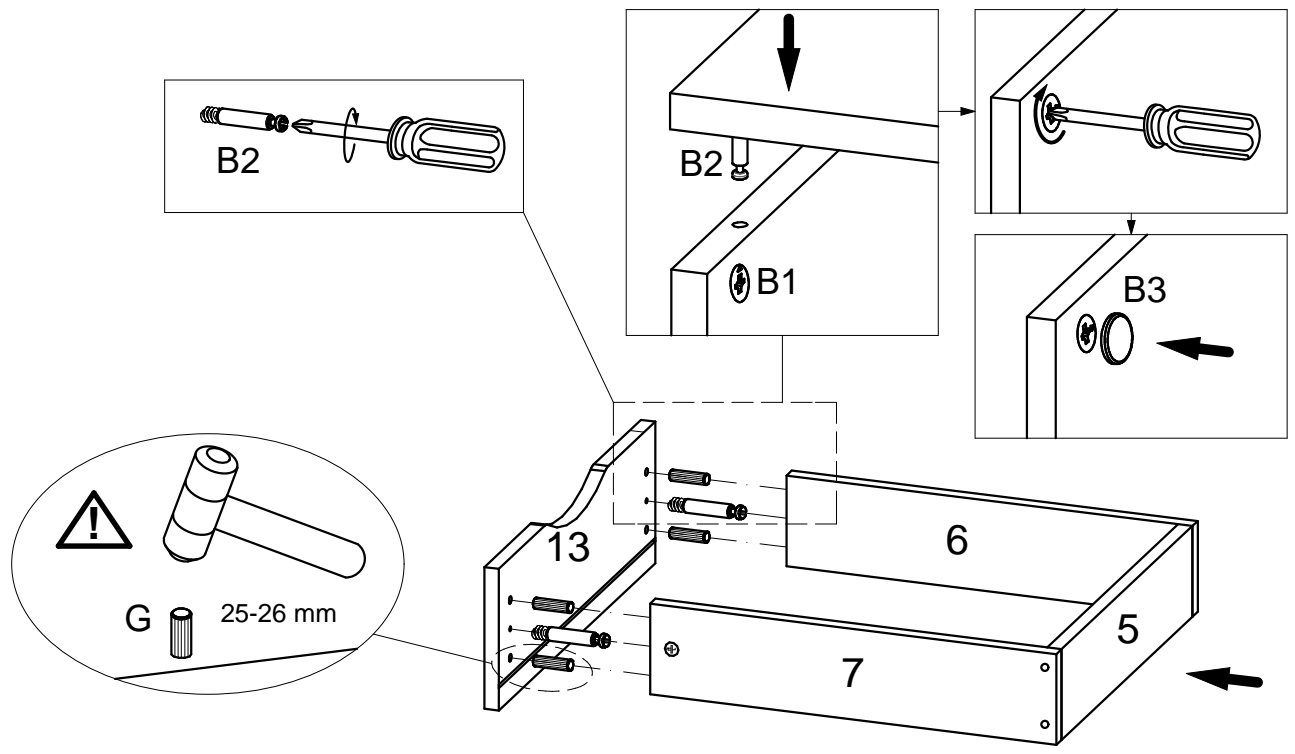
-  A1 x 12
-  A2 x 12
-  A3 x 1
-  B1 x 6



x 3

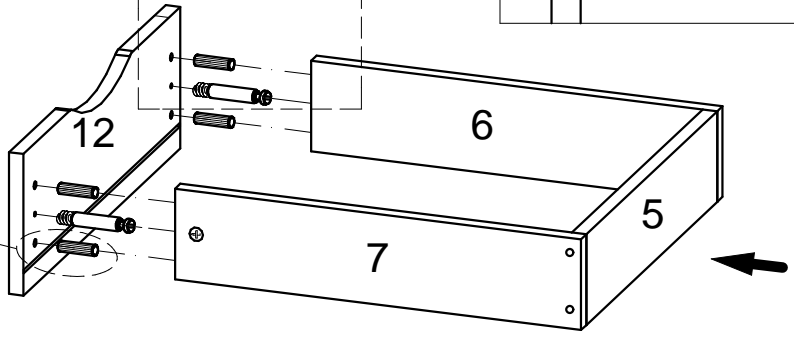
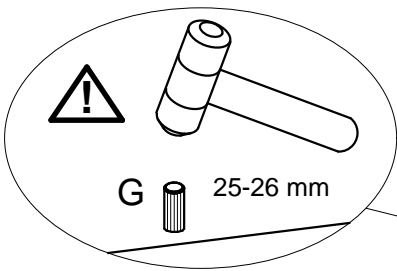
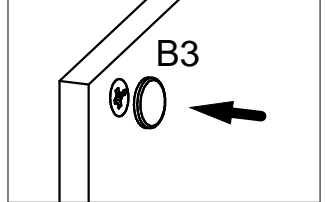
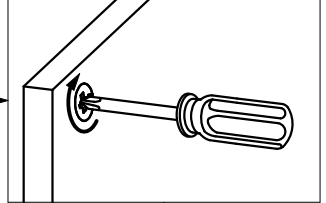
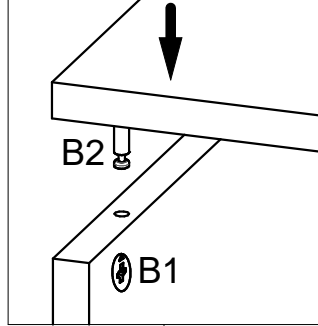
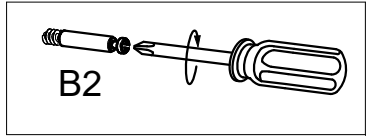
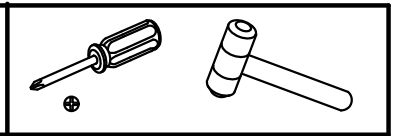
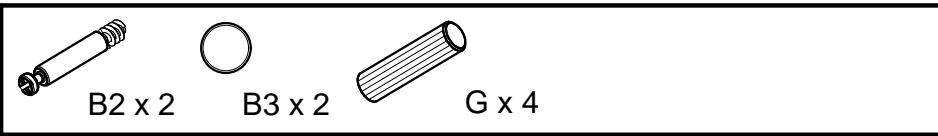
5

-  B2 x 4
-  B3 x 4
-  G x 8
- 
- 

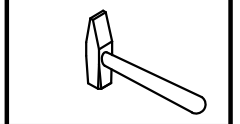


x 2

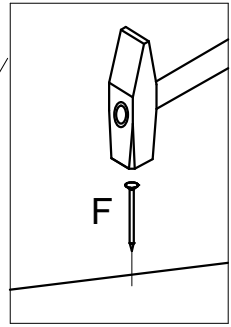
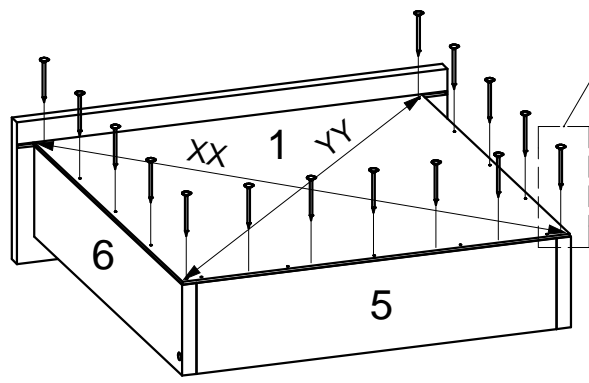
6



7



! $XX=YY \cong 90^\circ$



x 3

8



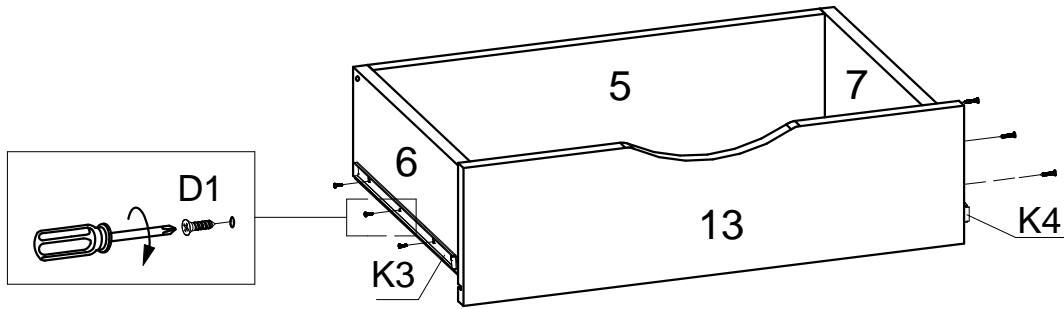
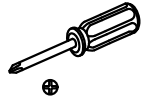
D1 x 12



K.3 x 2



K.4 x 2



x 2

9



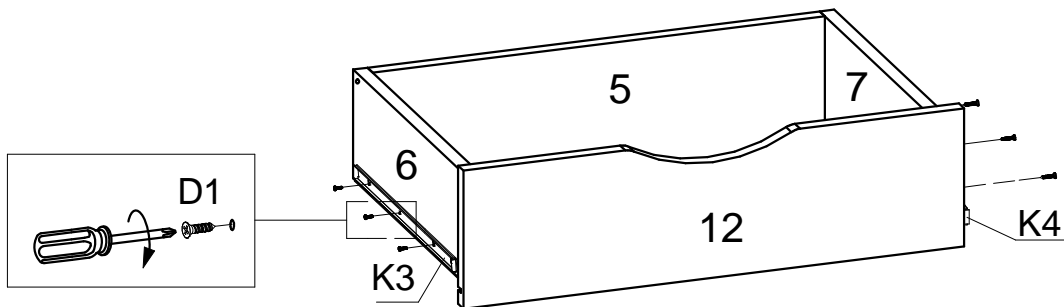
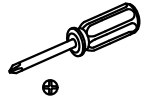
D1 x 6



K.3 x 1



K.4 x 1



10



L x 8

